

**100mA POSITIVE VOLTAGE REGULATOR****AS78LXX****General Description**

The AS78LXX series are three terminal positive regulators designed for a wide variety of applications including local, on-card regulation.

This series of regulators are complete with internal current limiting, thermal shutdown protection, and safe-area compensation which make them virtually immune from output overload. If adequate heat sinking are provided, these regulators can deliver output currents up to 100mA.

The AS78LXX series are available in TO-92 (bulk or ammo packing), SOT-89 and SOIC-8 packages.

**Features**

- Output Current up to 100mA
- Fixed Output Voltages of 5V, 12V, 15V, 18V and 24V
- Output Voltage Accuracy of  $\pm 5\%$  over the Full Temperature Range
- Internal Short Circuit Current Limiting
- Internal Thermal Overload Protection
- No External Components
- Output Transistor Safe-area Protection

**Applications**

- Consumer Electronics
- Microprocessor Power Supply
- Mother Board

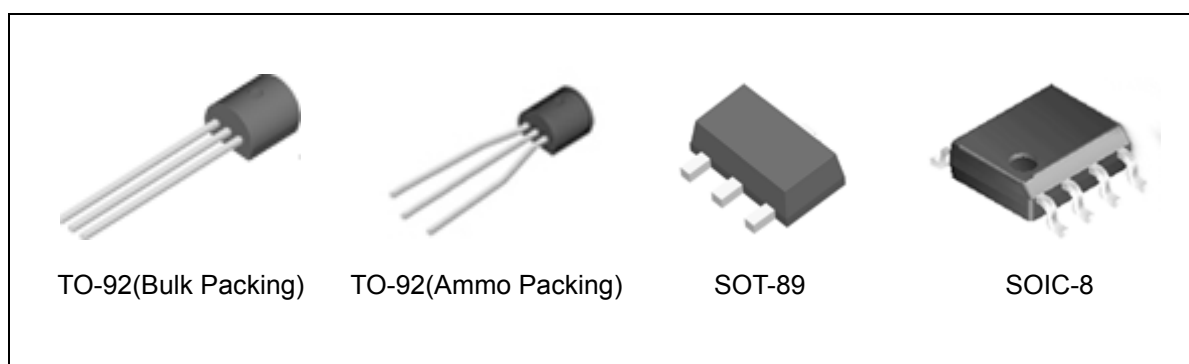


Figure 1. Package Types of AS78LXX

**Pin Configuration**

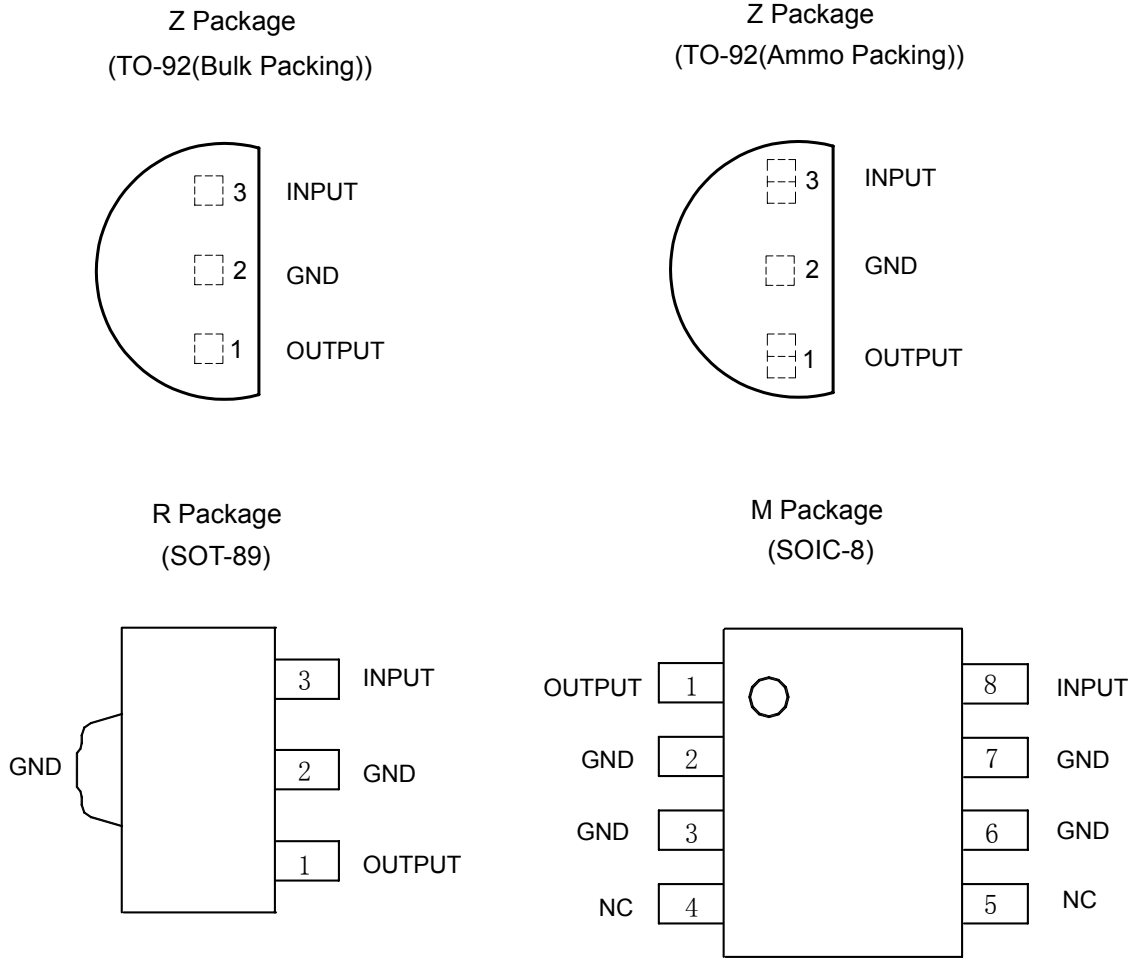
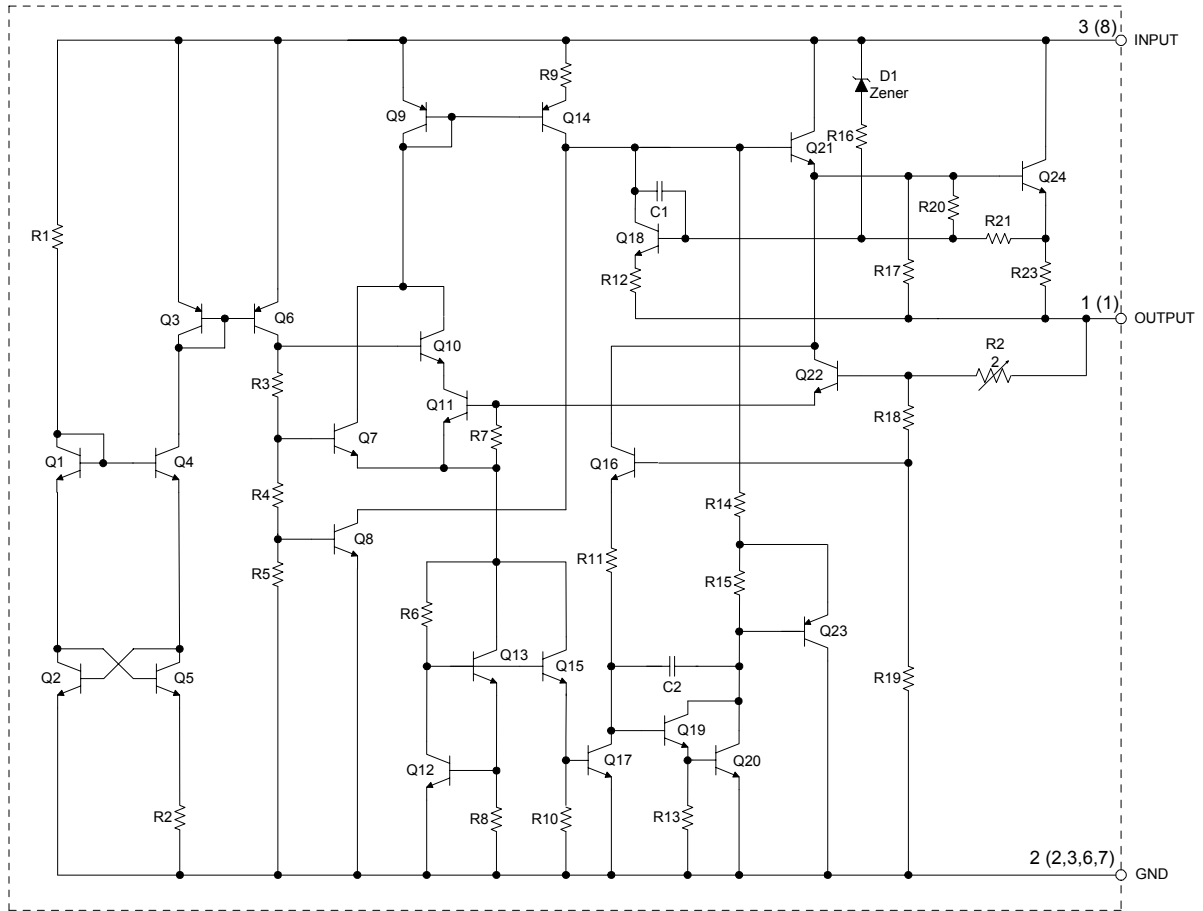


Figure 2. Pin Configuration of AS78LXX (Top View)

**100mA POSITIVE VOLTAGE REGULATOR**

**AS78LXX**

**Functional Block Diagram**



A (B)

A for 3-pin      B for 8-pin

Figure 3. Functional Block Diagram of AS78LXX



**100mA POSITIVE VOLTAGE REGULATOR****AS78LXX****Absolute Maximum Ratings (Note 1)**

Parameter	Symbol	Value		Unit
Input Voltage	$V_{IN}$	36		V
Operating Junction Temperature	$T_J$	150		°C
Lead Temperature (Soldering, 10sec)	$T_{LEAD}$	260		°C
Power Dissipation	$P_D$	750		mW
Storage Temperature Range	$T_{STG}$	-65 to 150		°C
Thermal Resistance	$\theta_{JA}$	TO-92	180	°C/W
ESD (Human Body Model)	ESD	2000		V
ESD (Machine Model)	ESD	200		V

Note 1: Stresses greater than those listed under "Absolute Maximum Ratings" may cause permanent damage to the device. These are stress ratings only, and functional operation of the device at these or any other conditions beyond those indicated under "Recommended Operating Conditions" is not implied. Exposure to "Absolute Maximum Ratings" for extended periods may affect device reliability.

**Recommended Operating Conditions**

Parameter		Symbol	Min	Max	Unit
Input Voltage	AS78L05	$V_{IN}$		30	V
	AS78L12			36	
	AS78L15			36	
	AS78L18			36	
	AS78L24			36	
Operating Junction Temperature Range		$T_J$	-40	125	°C



**100mA POSITIVE VOLTAGE REGULATOR**

**AS78LXX**

**Electrical Characteristics**

AS78L05 ( $V_{IN}=10V$ ,  $I_{OUT}=40mA$ ,  $C_{IN}=0.33\mu F$ ,  $C_{OUT}=0.1\mu F$ ,  $T_J=25^\circ C$ , **Bold** typeface applies over  $-40^\circ C \leq T_J \leq 125^\circ C$ , unless otherwise specified.)

Parameter	Symbol	Conditions	Min	Typ	Max	Unit
Output Voltage	$V_{OUT}$		4.8	5.0	5.2	V
		$7V \leq V_{IN} \leq 20V$ , $1mA \leq I_{OUT} \leq 100mA$ , $P_D \leq 0.75W$	<b>4.75</b>		<b>5.25</b>	
Line Regulation	$V_{RLINE}$	$7V \leq V_{IN} \leq 20V$		8	150	mV
Load Regulation	$V_{RLOAD}$	$1mA \leq I_{OUT} \leq 100mA$		10	60	mV
Quiescent Current	$I_Q$			3	5.5	mA
Quiescent Current Change	$\Delta I_Q$	$8V \leq V_{IN} \leq 20V$			<b>1.5</b>	mA
		$1mA \leq I_{OUT} \leq 40mA$			<b>0.1</b>	
Ripple Rejection	PSRR	$f=120Hz$ , $8V \leq V_{IN} \leq 18V$	47	62		dB
Dropout Voltage	$V_{DROP}$	$I_{OUT}=40mA$		1.7		V
		$I_{OUT}=100mA$		1.8		
Output Noise Voltage	$N_O$	$10Hz \leq f \leq 100kHz$ (Note 2)		40		$\mu V$
Output Voltage Temperature Coefficient	$\Delta V_{OUT}/\Delta T$	$I_{OUT}=5mA$		0.42		mV/ $^\circ C$
	$(\Delta V_{OUT}/V_{OUT})/\Delta T$			84		ppm/ $^\circ C$
Thermal Resistance	$\theta_{JC}$	TO-92		200		$^\circ C/W$
		SOT-89		165		
		SOIC-8		180		

Note 2: 0.01 $\mu F$  minimum load capacitance is recommended to limit high frequency noise.

**100mA POSITIVE VOLTAGE REGULATOR****AS78LXX****Electrical Characteristics**

**AS78L05C** ( $V_{IN}=10V$ ,  $I_{OUT}=40mA$ ,  $C_{IN}=0.33\mu F$ ,  $C_{OUT}=0.1\mu F$ ,  $T_J=25^\circ C$ , **Bold** typeface applies over  $-40^\circ C \leq T_J \leq 125^\circ C$ , unless otherwise specified.)

Parameter	Symbol	Conditions	Min	Typ	Max	Unit
Output Voltage	$V_{OUT}$		5.0		5.1	V
Line Regulation	$V_{RLINE}$	$7V \leq V_{IN} \leq 20V$		8	150	mV
Load Regulation	$V_{RLOAD}$	$1mA \leq I_{OUT} \leq 100mA$		10	60	mV
Quiescent Current	$I_Q$			3	5.5	mA
Quiescent Current Change	$\Delta I_Q$	$8V \leq V_{IN} \leq 20V$			<b>1.5</b>	mA
		$1mA \leq I_{OUT} \leq 40mA$			<b>0.1</b>	
Ripple Rejection	PSRR	$f=120Hz$ , $8V \leq V_{IN} \leq 18V$	47	62		dB
Dropout Voltage	$V_{DROP}$	$I_{OUT}=40mA$		1.7		V
		$I_{OUT}=100mA$		1.8		
Output Noise Voltage	$N_O$	$10Hz \leq f \leq 100kHz$ (Note 2)		40		$\mu V$
Output Voltage Temperature Coefficient	$\Delta V_{OUT}/\Delta T$	$I_{OUT}=5mA$		0.42		mV/ $^\circ C$
	$(\Delta V_{OUT}/V_{OUT})/\Delta T$			84		ppm/ $^\circ C$
Thermal Resistance	$\theta_{JC}$	TO-92		200		$^\circ C/W$
		SOT-89		165		
		SOIC-8		180		

Note 2: 0.01 $\mu F$  minimum load capacitance is recommended to limit high frequency noise.



**100mA POSITIVE VOLTAGE REGULATOR**

**AS78LXX**

**Electrical Characteristics (Continued)**

AS78L12 ( $V_{IN}=19V$ ,  $I_{OUT}=40mA$ ,  $C_{IN}=0.33\mu F$ ,  $C_{OUT}=0.1\mu F$ ,  $T_J=25^\circ C$ , **Bold** typeface applies over  $-40^\circ C \leq T_J \leq 125^\circ C$ , unless otherwise specified.)

Parameter	Symbol	Conditions	Min	Typ	Max	Unit
Output Voltage	$V_{OUT}$		11.5	12.0	12.5	V
		$14.5V \leq V_{IN} \leq 27V$ , $1mA \leq I_{OUT} \leq 100mA$ , $P_D \leq 0.75W$	<b>11.4</b>		<b>12.6</b>	
Line Regulation	$V_{RLINE}$	$14.5V \leq V_{IN} \leq 27V$		20	250	mV
Load Regulation	$V_{RLOAD}$	$1mA \leq I_{OUT} \leq 100mA$		20	100	mV
Quiescent Current	$I_Q$			3	6	mA
Quiescent Current Change	$\Delta I_Q$	$16V \leq V_{IN} \leq 27V$			<b>1.5</b>	mA
		$1mA \leq I_{OUT} \leq 40mA$			<b>0.1</b>	
Ripple Rejection	PSRR	$f=120Hz$ , $15V \leq V_{IN} \leq 25V$	37	42		dB
Dropout Voltage	$V_{DROP}$	$I_{OUT}=40mA$		1.7		V
		$I_{OUT}=100mA$		1.8		
Output Noise Voltage	$N_O$	$10Hz \leq f \leq 100kHz$ (Note 2)		80		$\mu V$
Output Voltage Temperature Coefficient	$\frac{\Delta V_{OUT}}{\Delta T}$	$I_{OUT}=5mA$		1		mV/ $^\circ C$
	$(\frac{\Delta V_{OUT}}{V_{OUT}})/\Delta T$			84		ppm/ $^\circ C$
Thermal Resistance	$\theta_{JC}$	TO-92		200		$^\circ C/W$
		SOT-89		165		
		SOIC-8		180		

Note 2: 0.01 $\mu F$  minimum load capacitance is recommended to limit high frequency noise.





**100mA POSITIVE VOLTAGE REGULATOR**

**AS78LXX**

**Electrical Characteristics (Continued)**

AS78L15 ( $V_{IN}=23V$ ,  $I_{OUT}=40mA$ ,  $C_{IN}=0.33\mu F$ ,  $C_{OUT}=0.1\mu F$ ,  $T_J=25^\circ C$ , **Bold** typeface applies over  $-40^\circ C \leq T_J \leq 125^\circ C$ , unless otherwise specified.)

Parameter	Symbol	Conditions	Min	Typ	Max	Unit
Output Voltage	$V_{OUT}$		14.4	15.0	15.6	V
		$17.5V \leq V_{IN} \leq 30V$ , $1mA \leq I_{OUT} \leq 100mA$ , $P_D \leq 0.75W$	<b>14.25</b>		<b>15.75</b>	
Line Regulation	$V_{RLINE}$	$17.5V \leq V_{IN} \leq 30V$		25	250	mV
Load Regulation	$V_{RLOAD}$	$1mA \leq I_{OUT} \leq 100mA$		25	150	mV
Quiescent Current	$I_Q$			3	6	mA
Quiescent Current Change	$\Delta I_Q$	$20V \leq V_{IN} \leq 30V$			<b>1.5</b>	mA
		$1mA \leq I_{OUT} \leq 40mA$			<b>0.1</b>	
Ripple Rejection	PSRR	$f=120Hz$ , $18.5V \leq V_{IN} \leq 28.5V$	34	39		dB
Dropout Voltage	$V_{DROP}$	$I_{OUT}=40mA$		1.7		V
		$I_{OUT}=100mA$		1.8		
Output Noise Voltage	$N_O$	$10Hz \leq f \leq 100kHz$ (Note 2)		90		$\mu V$
Output Voltage Temperature Coefficient	$\Delta V_{OUT}/\Delta T$	$I_{OUT}=5mA$		1.25		$mV/^\circ C$
	$(\Delta V_{OUT}/V_{OUT})/\Delta T$			84		ppm/ $^\circ C$
Thermal Resistance	$\theta_{JC}$	TO-92		200		$^\circ C/W$
		SOT-89		165		
		SOIC-8		180		

Note 2: 0.01 $\mu F$  minimum load capacitance is recommended to limit high frequency noise.



**100mA POSITIVE VOLTAGE REGULATOR**

**AS78LXX**

**Electrical Characteristics (Continued)**

AS78L18 ( $V_{IN}=27V$ ,  $I_{OUT}=40mA$ ,  $C_{IN}=0.33\mu F$ ,  $C_{OUT}=0.1\mu F$ ,  $T_J=25^\circ C$ , **Bold** typeface applies over  $-40^\circ C \leq T_J \leq 125^\circ C$ , unless otherwise specified.)

Parameter	Symbol	Conditions	Min	Typ	Max	Unit
Output Voltage	$V_{OUT}$		17.3	18.0	18.7	V
		$22V \leq V_{IN} \leq 33V$ , $1mA \leq I_{OUT} \leq 100mA$ , $P_D \leq 0.75W$	<b>17.1</b>		<b>18.9</b>	
Line Regulation	$V_{RLINE}$	$22V \leq V_{IN} \leq 33V$		30	300	mV
Load Regulation	$V_{RLOAD}$	$1mA \leq I_{OUT} \leq 100mA$		30	170	mV
Quiescent Current	$I_Q$			3	6	mA
Quiescent Current Change	$\Delta I_Q$	$23V \leq V_{IN} \leq 33V$			<b>1.5</b>	mA
		$1mA \leq I_{OUT} \leq 40mA$			<b>0.1</b>	
Ripple Rejection	PSRR	$f=120Hz$ , $23V \leq V_{IN} \leq 33V$	33	38		dB
Dropout Voltage	$V_{DROP}$	$I_{OUT}=40mA$		1.7		V
		$I_{OUT}=100mA$		1.8		
Output Noise Voltage	$N_O$	$10Hz \leq f \leq 100kHz$ (Note 2)		150		$\mu V$
Output Voltage Temperature Coefficient	$\Delta V_{OUT}/\Delta T$	$I_{OUT}=5mA$		1.5		mV/ $^\circ C$
	$(\Delta V_{OUT}/V_{OUT})/\Delta T$			84		ppm/ $^\circ C$
Thermal Resistance	$\theta_{JC}$	TO-92		200		$^\circ C/W$
		SOT-89		165		
		SOIC-8		180		

Note 2: 0.01 $\mu F$  minimum load capacitance is recommended to limit high frequency noise.

**100mA POSITIVE VOLTAGE REGULATOR****AS78LXX****Electrical Characteristics (Continued)**

**AS78L24** ( $V_{IN}=33V$ ,  $I_{OUT}=40mA$ ,  $C_{IN}=0.33\mu F$ ,  $C_{OUT}=0.1\mu F$ ,  $T_J=25^\circ C$ , **Bold** typeface applies over  $-40^\circ C \leq T_J \leq 125^\circ C$ , unless otherwise specified.)

Parameter	Symbol	Conditions	Min	Typ	Max	Unit
Output Voltage	$V_{OUT}$		23	24.0	25	V
		$27V \leq V_{IN} \leq 36V$ , $1mA \leq I_{OUT} \leq 100mA$ , $P_D \leq 0.75W$	<b>22.8</b>		<b>25.2</b>	
Line Regulation	$V_{RLINE}$	$27V \leq V_{IN} \leq 36V$		50	300	mV
Load Regulation	$V_{RLOAD}$	$1mA \leq I_{OUT} \leq 100mA$		40	200	mV
Quiescent Current	$I_Q$			3	6	mA
Quiescent Current Change	$\Delta I_Q$	$28V \leq V_{IN} \leq 36V$			<b>1.5</b>	mA
		$1mA \leq I_{OUT} \leq 40mA$			<b>0.1</b>	
Ripple Rejection	PSRR	$f=120Hz$ , $29V \leq V_{IN} \leq 35V$	31	37		dB
Dropout Voltage	$V_{DROP}$	$I_{OUT}=40mA$		1.7		V
		$I_{OUT}=100mA$		1.8		
Output Noise Voltage	$N_O$	$10Hz \leq f \leq 100kHz$ (Note 2)		200		$\mu V$
Output Voltage Temperature Coefficient	$\Delta V_{OUT}/\Delta T$	$I_{OUT}=5mA$		2		mV/ $^\circ C$
	$(\Delta V_{OUT}/V_{OUT})/\Delta T$			84		ppm/ $^\circ C$
Thermal Resistance	$\theta_{JC}$	TO-92		200		$^\circ C/W$
		SOT-89		165		
		SOIC-8		180		

Note 2: 0.01 $\mu F$  minimum load capacitance is recommended to limit high frequency noise.



**100mA POSITIVE VOLTAGE REGULATOR**

**AS78LXX**

**Typical Performance Characteristics**

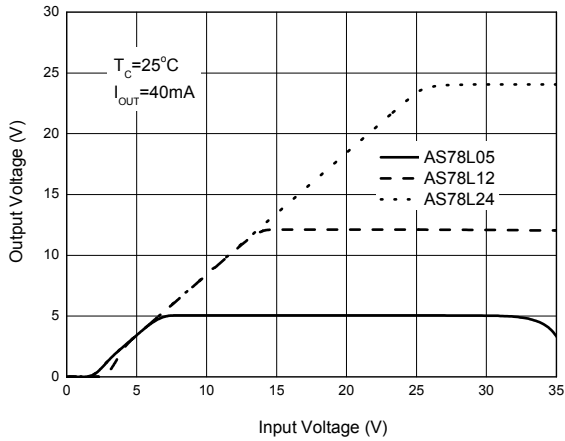


Figure 4. Output Voltage vs. Input Voltage

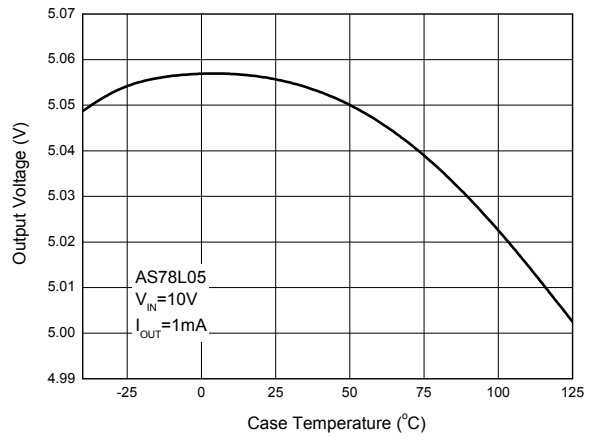


Figure 5. Output Voltage vs. Case Temperature

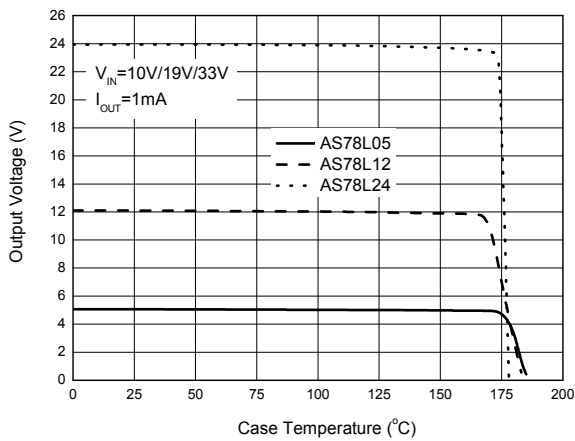


Figure 6. Over Temperature Protection

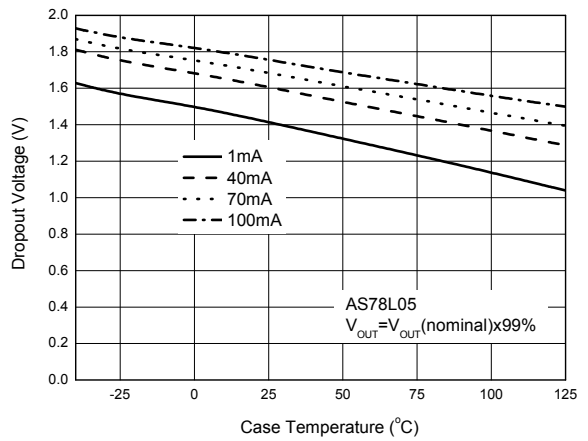


Figure 7. Dropout Voltage vs. Case Temperature



100mA POSITIVE VOLTAGE REGULATOR

AS78LXX

Typical Performance Characteristics (Continued)

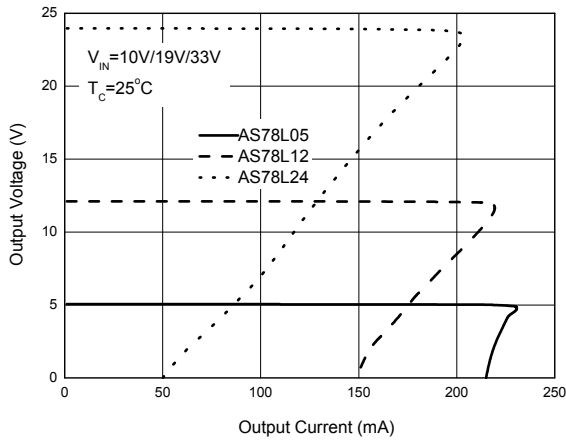


Figure 8. Output Voltage vs. Output Current

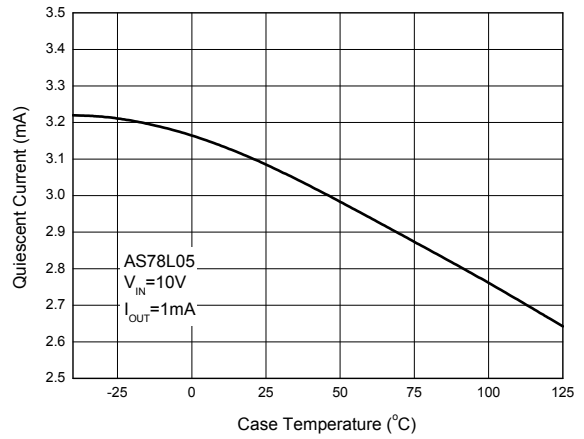


Figure 9. Quiescent Current vs. Case Temperature

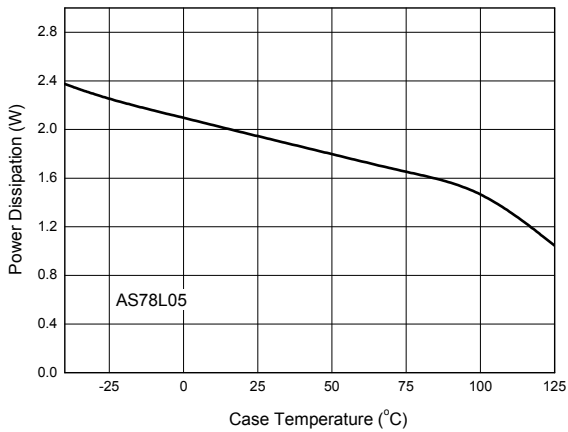


Figure 10. Power Dissipation vs. Case Temperature

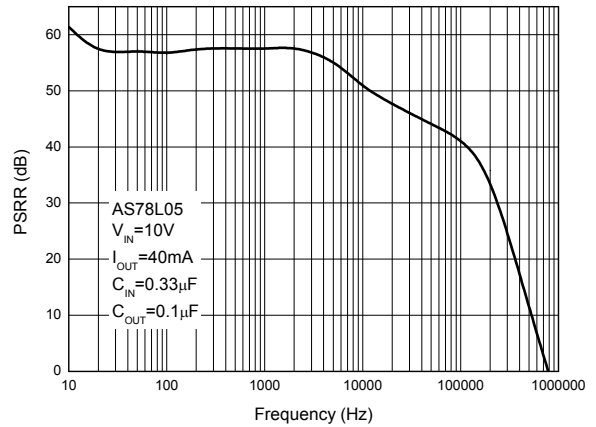


Figure 11. PSRR vs. Frequency

**Typical Performance Characteristics (Continued)**

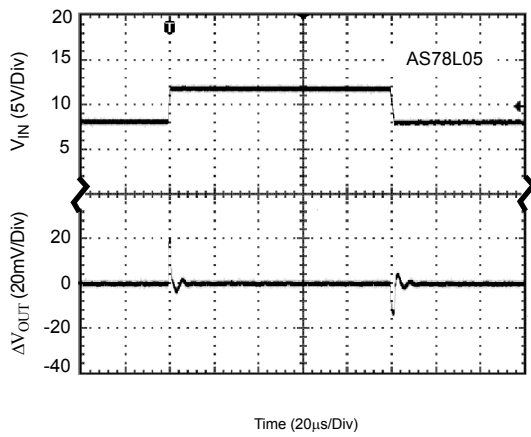


Figure 12. Line Transient  
(Conditions:  $I_{OUT}=40mA$ ,  $C_{IN}=0.33\mu F$ ,  $C_{OUT}=0.1\mu F$ )

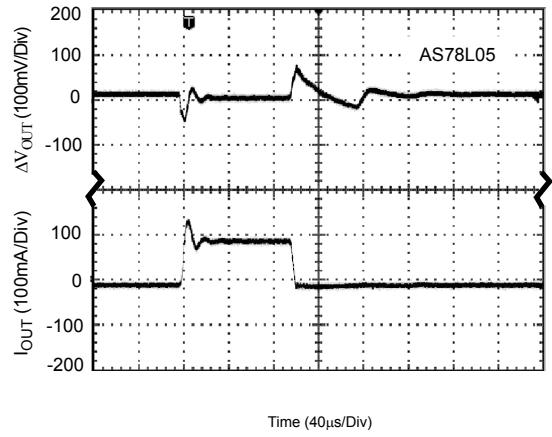


Figure 13. Load Transient  
(Conditions:  $V_{IN}=10V$ ,  $C_{IN}=0.33\mu F$ ,  $C_{OUT}=0.1\mu F$ )

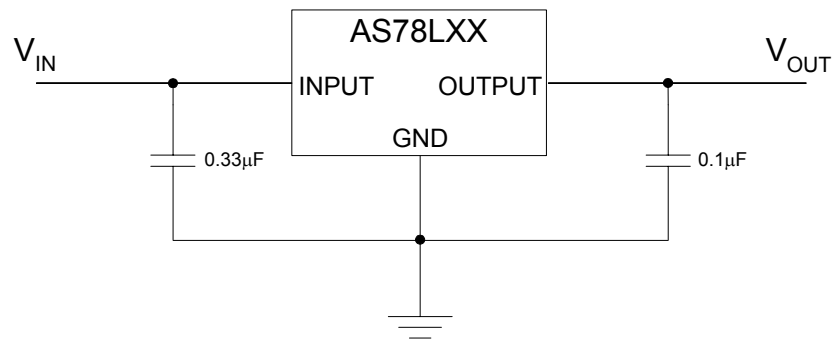
**Typical Application**

Figure 14. Typical Application of AS78LXX



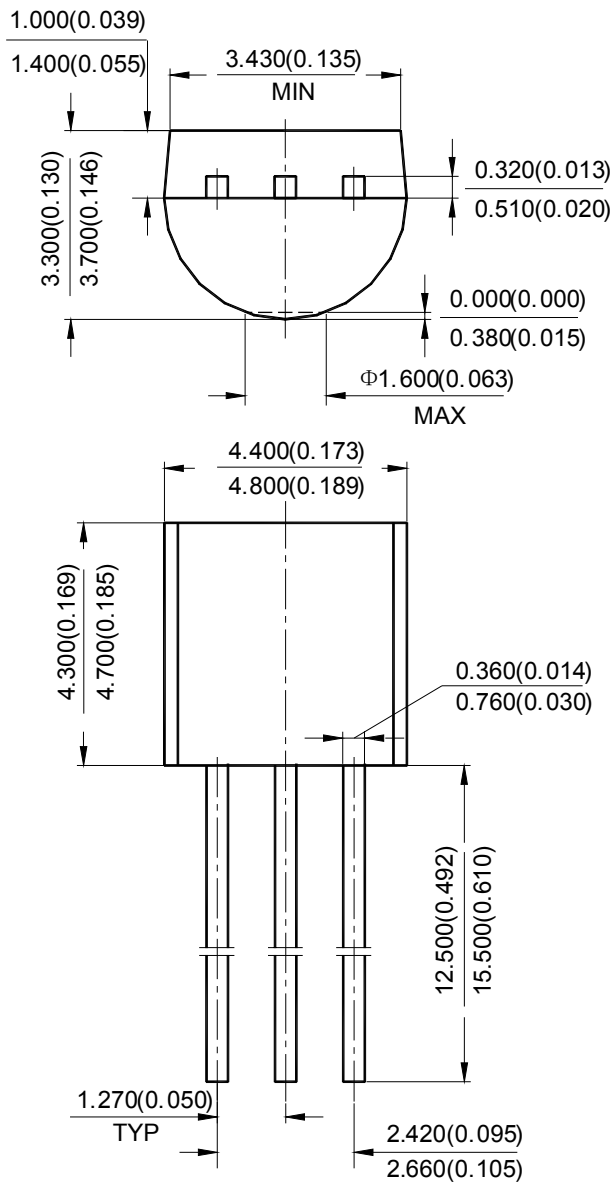
**100mA POSITIVE VOLTAGE REGULATOR**

**AS78LXX**

**Mechanical Dimensions**

**TO-92(Bulk Packing)**

**Unit: mm(inch)**







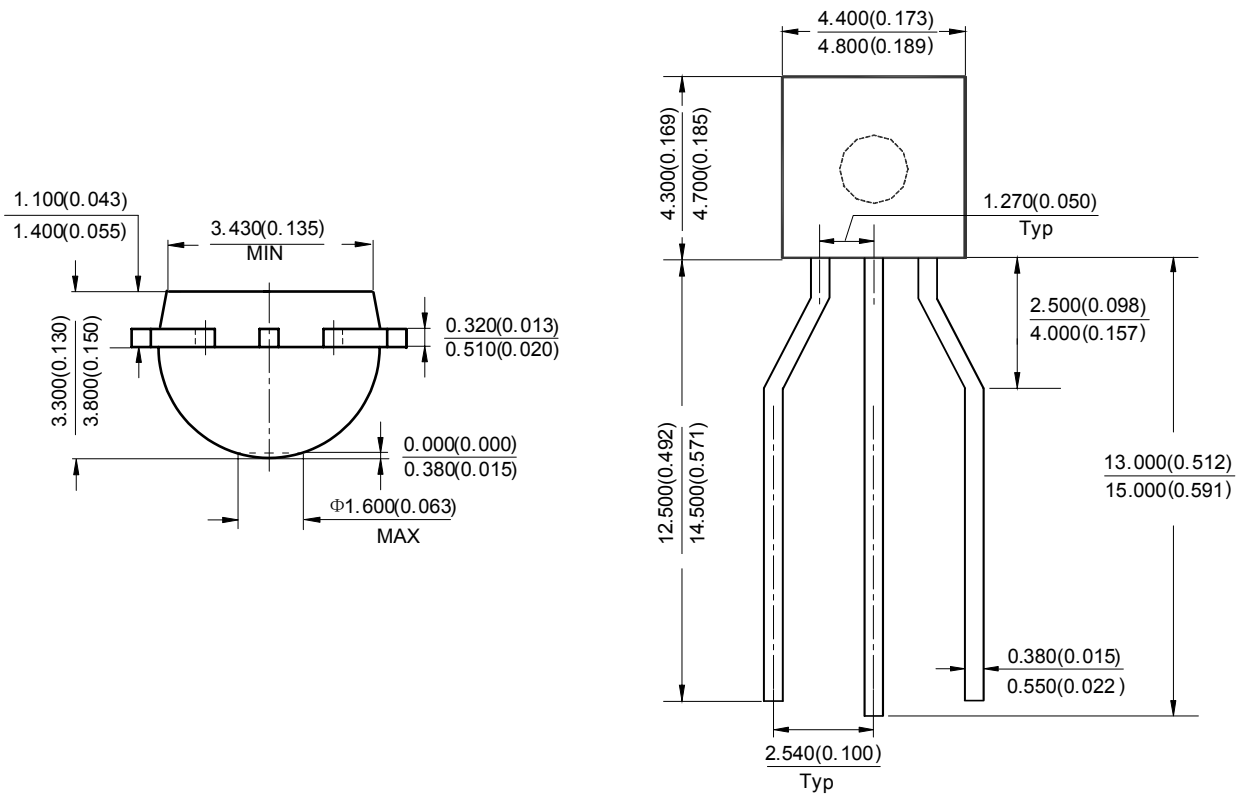
**100mA POSITIVE VOLTAGE REGULATOR**

**AS78LXX**

**Mechanical Dimensions (Continued)**

**TO-92(Ammo Packing)**

**Unit: mm(inch)**





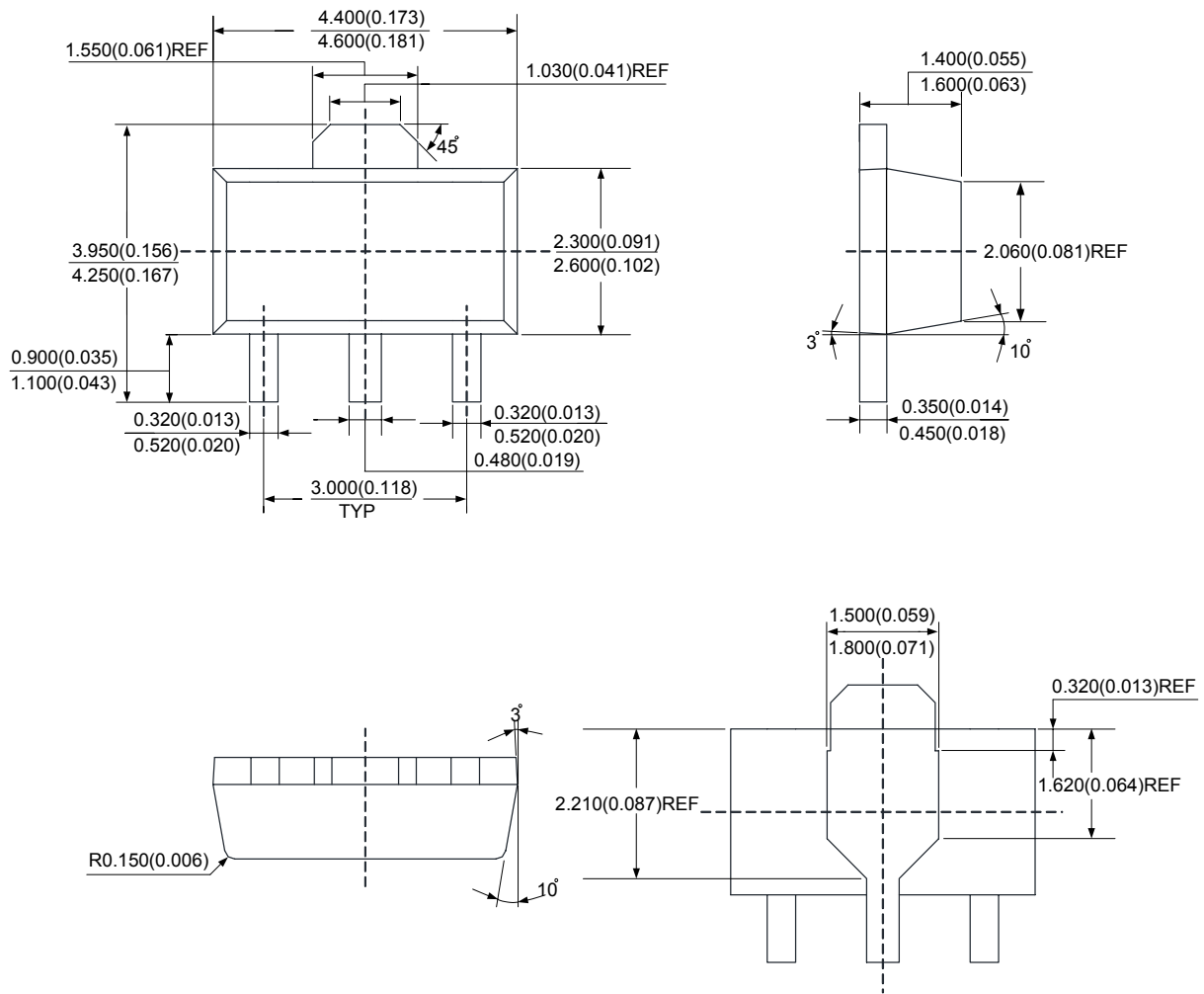
**100mA POSITIVE VOLTAGE REGULATOR**

**AS78LXX**

**Mechanical Dimensions (Continued)**

**SOT-89**

**Unit: mm(inch)**





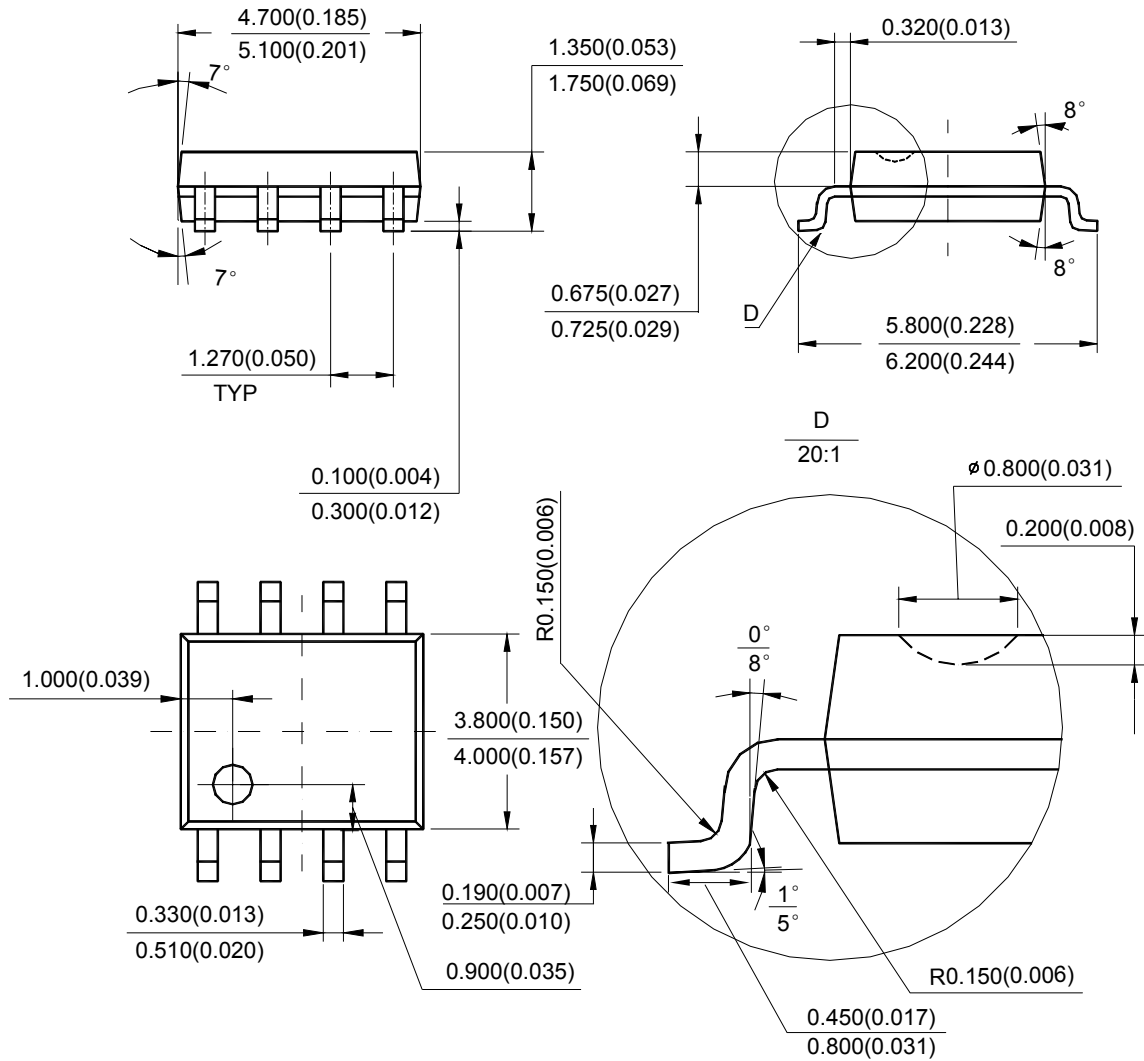
**100mA POSITIVE VOLTAGE REGULATOR**

**AS78LXX**

**Mechanical Dimensions (Continued)**

**SOIC-8**

**Unit: mm(inch)**



Note: Eject hole, oriented hole and mold mark is optional.



## **BCD Semiconductor Manufacturing Limited**

<http://www.bcdsemi.com>

### **IMPORTANT NOTICE**

BCD Semiconductor Manufacturing Limited reserves the right to make changes without further notice to any products or specifications herein. BCD Semiconductor Manufacturing Limited does not assume any responsibility for use of any its products for any particular purpose, nor does BCD Semiconductor Manufacturing Limited assume any liability arising out of the application or use of any its products or circuits. BCD Semiconductor Manufacturing Limited does not convey any license under its patent rights or other rights nor the rights of others.

---

#### **MAIN SITE**

##### **- Headquarters**

##### **BCD Semiconductor Manufacturing Limited**

No. 1600, Zi Xing Road, Shanghai Zizhu Science-based Industrial Park, 200241, China  
Tel: +86-21-24162266, Fax: +86-21-24162277

##### **- Wafer Fab**

##### **Shanghai SIM-BCD Semiconductor Manufacturing Co., Ltd.**

800 Yi Shan Road, Shanghai 200233, China  
Tel: +86-21-6485 1491, Fax: +86-21-5450 0008

#### **REGIONAL SALES OFFICE**

##### **Shenzhen Office**

##### **Shanghai SIM-BCD Semiconductor Manufacturing Co., Ltd., Shenzhen Office**

Unit A Room 1203, Skyworth Bldg., Gaoxin Ave. 1.S., Nanshan District, Shenzhen, China  
Tel: +86-755-8826 7951  
Fax: +86-755-8826 7865

##### **Taiwan Office**

##### **BCD Semiconductor (Taiwan) Company Limited**

4F, 298-1, Rui Guang Road, Nei-Hu District, Taipei, Taiwan  
Tel: +886-2-2656 2808  
Fax: +886-2-2656 2806

##### **USA Office**

##### **BCD Semiconductor Corp.**

30920 Huntwood Ave. Hayward, CA 94544, USA  
Tel : +1-510-324-2988  
Fax: +1-510-324-2788